

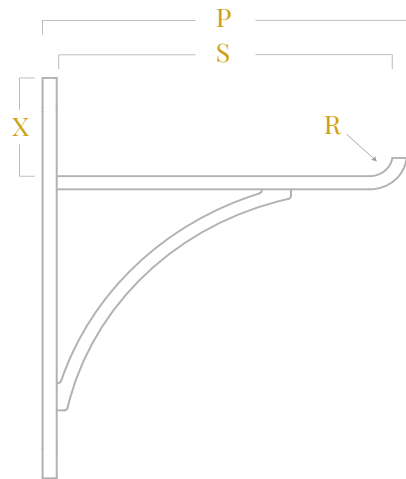
HARBORNE BRASS SHELF BRACKET

Designed by Guild Anderson for Armac Martin, the Harborne Shelf Bracket is a covetable choice to support bespoke marble and wooden shelving. The front shelf edge rests seamlessly upon a lipped curve to stylishly support custom-made wall shelves. With matching screws or caps supplied for installation, the solid brass brackets are available in two sizes to meet your requirements.

Choose from over 20 impeccable brass finishes to enhance the look of your interior shelving in kitchens and beyond.

Technical Details

Code	Width (W)	Centres (C)	Height (H)	Projection (P)	Shelf Radius (R)	X	Shelf Support (S)
HAB/BRKT/190	25mm	218mm	243mm	206mm	13mm	60mm	190mm
HAB/BRKT/250	25.4mm	290mm	315mm	266mm	13mm	64mm	250mm



Features

- Made in Birmingham
- Hand finished

Finishes

